

# BALEAR CLASSIC

EFFICIENT AND DURABLE

CLASSIC LINE | YEARS OF WARRANTY 3 | 2 TANK EQUIPMENT



High quality filtration



BL

BR

BL-transparent screw-on lid, with a view into the interior



Dual-side diffuser



Wide double draining, water/sand



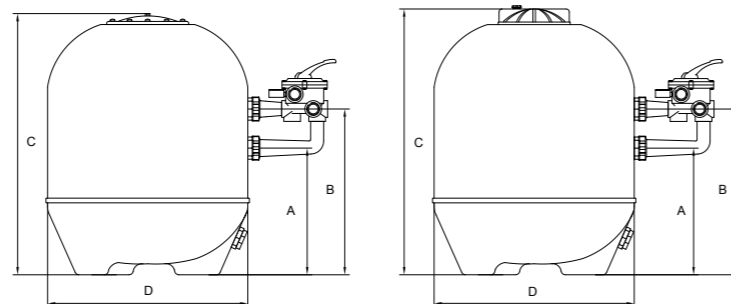
Internal monoblock element

- ➔ Optimised hydraulic system for **high quality filtration**
- ➔ Wide opening for **easy maintenance**
- ➔ 6-way valve, pressure gauge and air release included
- ➔ Variflo™ valve included
- ➔ Perfectly stable thanks to its three-point support
- ➔ **Optimal distribution of water** over the bed, thanks to the Dual-Side diffuser
- ➔ Quick-connect collector arms, **easy to replace**
- ➔ Internal monoblock element, **without slip fittings**
- ➔ Wide drain, no tools required for opening, **easy maintenance**
- ➔ **Usage: for residential pools up to 189 m<sup>3</sup>**

Code	Ref.	Connection	Filtration area (m <sup>2</sup> )	Flow rate (m <sup>3</sup> /h) @ v(m <sup>3</sup> /h/m <sup>2</sup> )			Sand (kg)	Vitrafil (kg)	Pools up to (m <sup>3</sup> )	Dimensions (mm)					Weight (kg)
				30	40	50				A	B	C	D	E	
021040143523	BR 400	1,5"	0,13	3,9	5,2	6,5	50	40	39	255	380	565	400	300	11,5
021045143523	BR 450	1,5"	0,16	4,8	6,4	8	80	65		315	440	700	450	300	14
021052143523	BR 520	1,5"	0,21	6,3	8,4	10,5	110	90	63	355	480	790	520	300	17
021064143523	BR 640	1,5"	0,32	9,6	12,8	16	180	145	96	405	530	860	640	300	23
021068243523	BR 680	2"	0,36	10,8	14,4	19	250	200	114	425	550	905	680	300	26
021076243523	BR 760	2"	0,45	13,5	18	22,5	320	260	135	460	600	1020	760	300	34
021090243523	BR 900	2"	0,63	18,9	25,2	31,5	325	355	189	470	610	1035	900	300	45
021240147523	BL 400	1,5"	0,13	3,9	5,2	6,5	50	40	39	255	380	555	400	220	11,5
021245147523	BL 450	1,5"	0,16	4,8	6,4	8	80	65		315	440	690	450	220	14
021252147523	BL 520	1,5"	0,21	6,3	8,4	10,5	110	90	63	355	480	780	520	220	17
021264147523	BL 640	1,5"	0,32	9,6	12,8	16	180	145	96	405	530	850	640	220	23
021268247523	BL 680	2"	0,36	10,8	14,4	19	250	200	114	425	550	895	680	220	26
021276247523	BL 760	2"	0,45	13,5	18	22,5	320	260	135	460	600	1010	760	220	34
021290247523	BL 900	2"	0,63	18,9	25,2	31,5	440	355	189	470	610	1025	900	220	45

### Technical Specifications

Max. water temp.	50 °C
Operating pressure	0.5 - 1.3 bar
Maximum pressure	1.6 bar
Connection	1.5" (ø 520 mm - ø 640 mm) 2" (ø 760 mm - ø 900 mm)
Tank / Arms / Unions / Cover	Polyester with F.G./PP/ABS/ PP+F.G.
Granulometry of filter material	0.4 - 0.8 mm



# ARTIK CLASSIC

ROBUST AND RELIABLE, PROBLEM-FREE FILTERING

CLASSIC LINE | YEARS OF WARRANTY 3 | 2 TANK EQUIPMENT



High quality filtration



Side version

Top version



Difusor dual side



Wide double draining, water/sand



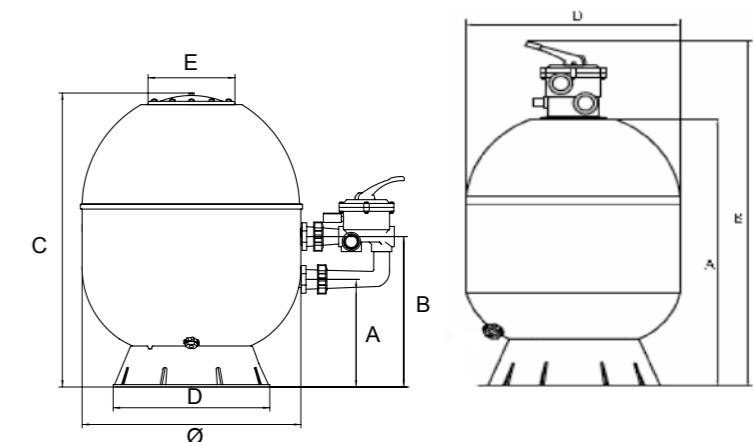
Internal monoblock element

- ➔ A quality solution available with top or side mounted valve
- ➔ 6-way valve included
- ➔ **Optimal distribution of water** over the bed, thanks to the Dual-Side diffuser
- ➔ Quick-connect collector arms, **easy to replace**
- ➔ Internal monoblock element, **without slip fittings**
- ➔ Wide drain, no tools required for opening, **easy maintenance**
- ➔ **Usage: for residential pools up to 189 m<sup>3</sup>**

Code	Ref.	Connection	Filtration area (m <sup>2</sup> )	Flow rate (m <sup>3</sup> /h) @ v(m <sup>3</sup> /h/m <sup>2</sup> )			Sand (kg)	Vitrafil (kg)	Pools up to (m <sup>3</sup> )	Dimensions (mm)					Weight (kg)	Vol. (m <sup>3</sup> )
				30	40	50				A	B	C	D	E		
022140143723	AK 400	1,5"	0,13	3,9	5,2	6,5	50	40	39	225	350	665	458	300	11	0,127
022152143723	AK 520	1,5"	0,21	6,3	8,4	10,5	100	80	63	305	430	775	458	300	15,5	0,242
022164143723	AK 640	1,5"	0,32	9,6	12,8	16	165	135	96	315	440	860	458	300	21	0,366
022168243723	AK 680	2"	0,36	10,8	14,4	19	220	180	114	320	455	900	605	300	25	0,406
022176243723	AK 760	2"	0,45	13,5	18	22,5	305	245	135	365	455	900	605	300	31	0,608
022190243723	AK 900	2"	0,63	18,9	25,2	31,5	425	340	189	365	505	900	605	300	40	0,902
022240420023	AKT 400	1,5"	0,13	3,9	5,2	6,5	50	40	39	660	920	-	458	-	10,5	0,123
022252420023	AKT 520	1,5"	0,21	6,3	8,4	10,5	100	80	63	735	995	-	458	-	15,5	0,242
022264420023	AKT 640	1,5"	0,32	9,6	12,8	16	165	135	96	800	1060	-	458	-	21	0,366

### Technical Specifications

Max. water temp.	50 °C
Operating pressure	0.5 - 1.3 bar
Maximum pressure	1.6 bar
Connection	1.5" (ø 520 mm - ø 640 mm) 2" (ø 760 mm - ø 900 mm)
Tank / Arms / Unions / Cover	Polyester with F.G./PP/ABS/ PP+F.G.
Granulometry of filter material	0.4 - 0.8 mm



KRIPSOL® PUMPS & BOXES FILTERS WHITE GOODS AND LIGHTS CLEANERS HEATING SANITIZATION POOL SURROUNDING PVC ACCESSORIES CONDITIONS OF SALE/SPARE PARTS