

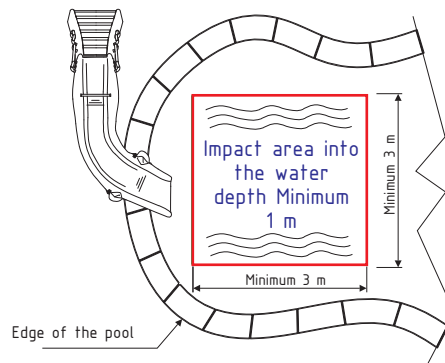
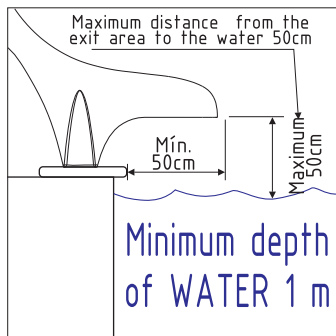


Mod. DelfiPiscinas 175 Curved

Information about installation. Safety regulation.

INSTALLATION IN POOLS

- Do not install or use this slide if you do not have the minimum safe distance told at the following graphic:



Safety regulations

- Do not use it if there is movement between the base of the slide and the fixation surface, or if there are signals of a damaged or broken surface.
- This slide should never be used without adult supervision.
- Is not allowed to use it for more than one person at the same time.
- The use of the Delfi slide is only allowed in a seated position. You should never allow its use with the stand up, backward or headfirst position.
- The users have to hold themselves to the handles and handrails before beginning to climb the slide and they must keep hold to them until they arrive to the sliding position.
- Check that there are not electricity pipes in the area where are you going to fix the slide with screws. You must respect the actual electric regulation and requirements.

LADDER AND RAMP ASSEMBLY

1 Equipment components

- Model Delfi 175 curved slide ramp.
- Model Delfi 175 slide ladder.
- Safety handles.
- Installed stainless steel legs.
- Components of the water jet flows system.
- Screws and accessories for its installation.

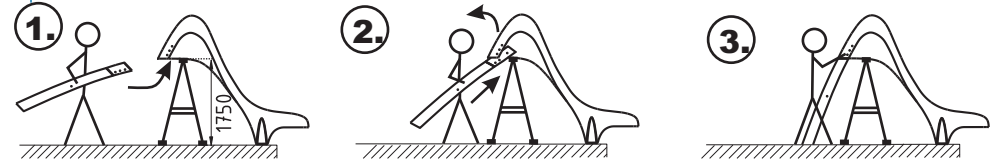
Necessary tools (Not included):

- Soft mace
- 2 star keys elbowed 17 mm
- 1 star key elbowed 13 mm



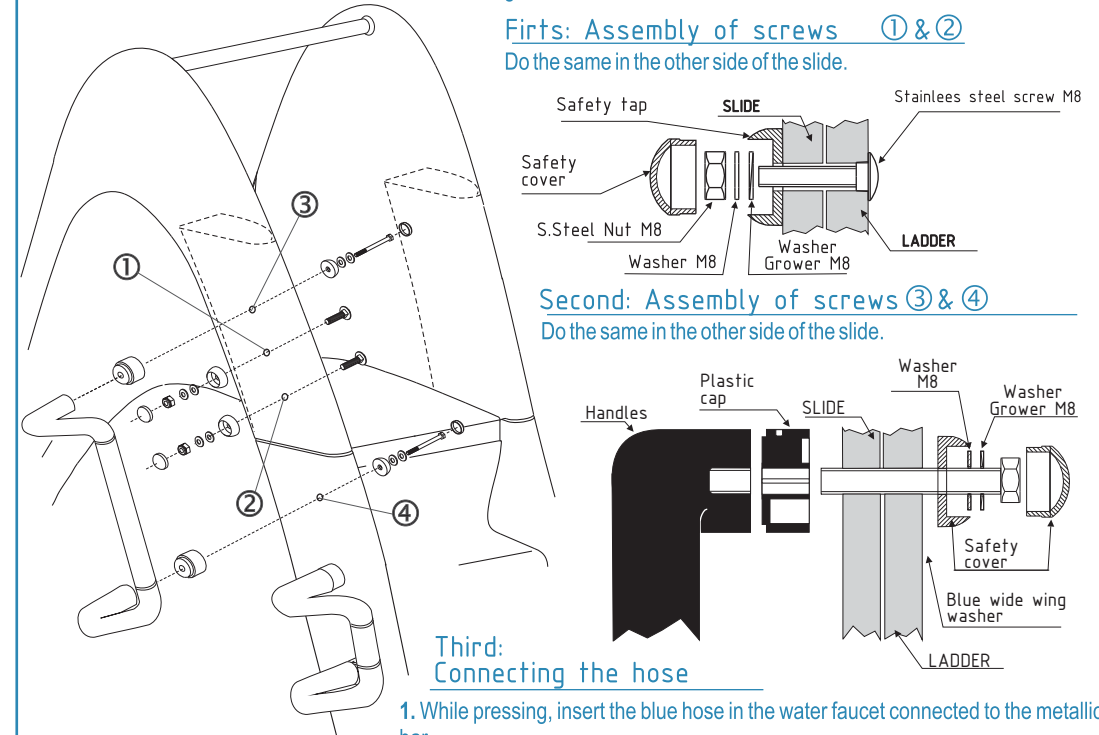
2 Jointing the ladder to the slide.

Put the ladder in the slide in its back part as it is shown in the pictures, it is necessary to use a support to keep the slide in its position of installation:

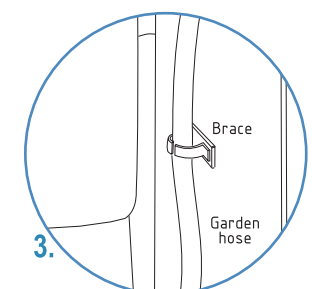
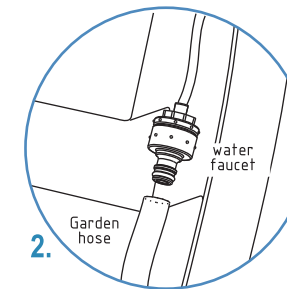
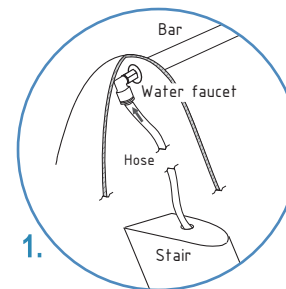


3 Assembly of the ladder and the safety handles

Line holes of the slide with the holes of the ladder and go on with the installation of the screws and the handles:



- While pressing, insert the blue hose in the water faucet connected to the metallic bar.
- Connect your watering hose to the faucet located on one of the stair sides.
- Fasten the watering hose with the braces located on one of the stair sides.



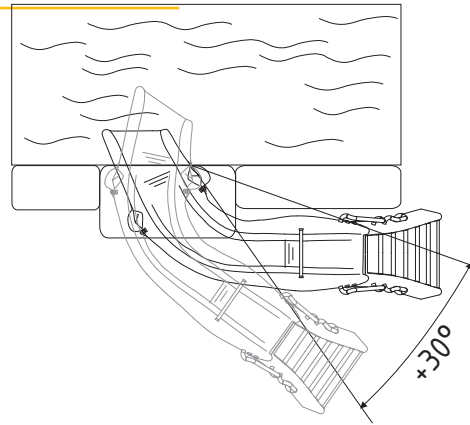


Mod. DelfiPiscinas 175 Curved

INSTRUCTIONS OF FIXATION

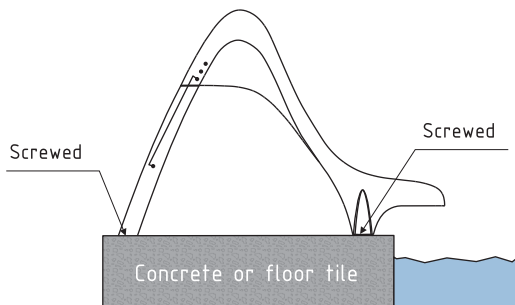
1 Slide position

The slide position can be turned 15° in both directions for a better adjustment to the dimensions of the pool.

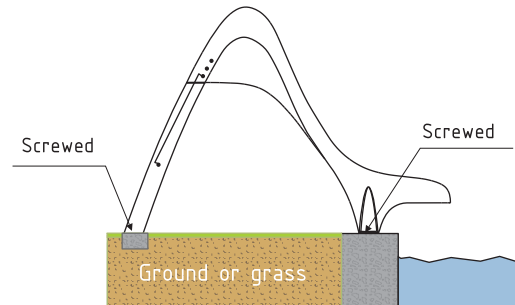


2 Different kinds of installation

A Screwed to compact ground

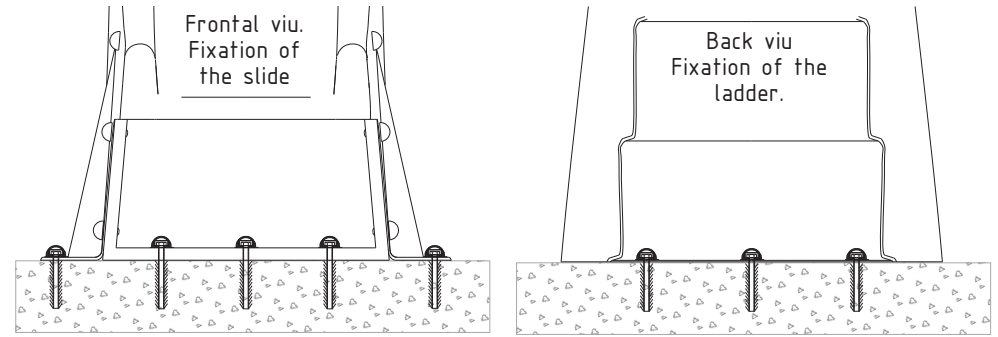


B Screwed to NON compact ground



A. Screwed to compact ground

The installation of the slide it is made with 8 stainless steel expansion screws protected with safety covers. The screws are given with the slide and they have to be put as it is shown in the pictures.



<p>① Mark the holes</p>	<p>② Drill the ground</p> <p>Ø12mm 10 cm</p>	<p>Used tools (Not included):</p> <ul style="list-style-type: none"> - Pencil or marker. - Drill machine with hammer position. - Drill for compact material D12 mm. - Cleaning tools for drill holes. - Star key elbowed 13 mm. - Hammer or mace
<p>③ Clean the holes</p>	<p>④ Place the slide</p>	
<p>⑤ Insert the expansion tacos and tight them up with the key</p>	<p>⑥ Put the safety covers</p>	<p>IMPORTANT:</p> <p>AVOIDE TO MAKE DRILLS OVER CRACKS OR JOINTS BETWEEN TILES OR BOARDS, replace the slide if necessary.</p>
		<p>IMPORTANT:</p> <p>Do NOT screw directly over ground or grass, you may adapt the land.</p>

B. Screwed to NON compact ground

You may compact the ground where the slide is supported placing a concrete tile as it is shown in the picture.
Install the slide as the step before. (A)

