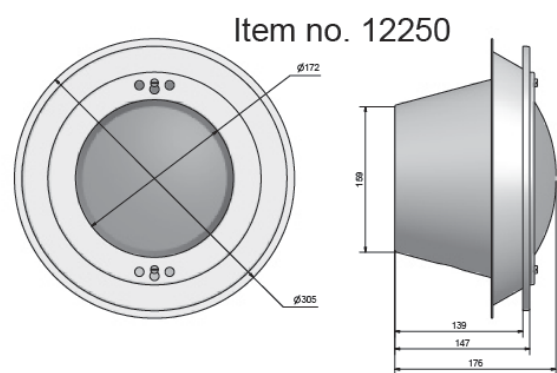
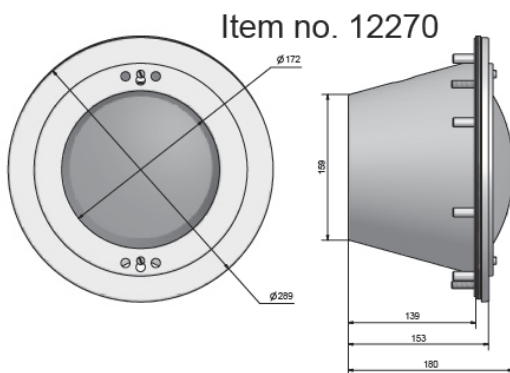


Allasvalo 12V/300W / hst - Tarvittaessa 12V/120W



Accessories

Cable conduit

Item no.

- 12330 Protects the cable between the junction box and the lamp unit, length 900 mm.
12854 Joining sleeve internal 3/4" PVC. For extension of cable conduit.

Junction box

Item no.

- 12310 Cable seal in the base, with attachment for cable conduit and connection block.

Safety transformer

Item no.

- 12340 Transformer 300W, 12/230V, IP54 with built-in fuse.



- **Polished front** - For optimum finish.
- **Light unit of AISI 316L acid-resistant stainless steel** - For optimum quality and life.
- **Bulbs PAR 56 300W, type Sealbeam, glass and reflector in one unit** - No loose parts, easy to replace.
- **Supplied as standard with a 2.5 m long 2-wire connecting cable** - The water level does not need to be lowered when replacing bulbs.
- **Can be fitted in concrete, liner or building-block walls** - Suits all pool types.
- **Tested and certified by a Notified Body** - Important for product safety.

Recommended lighting:

300W For outdoor pools - 1 light unit per 25 m², indoor pools - 1 light unit per 15 m².

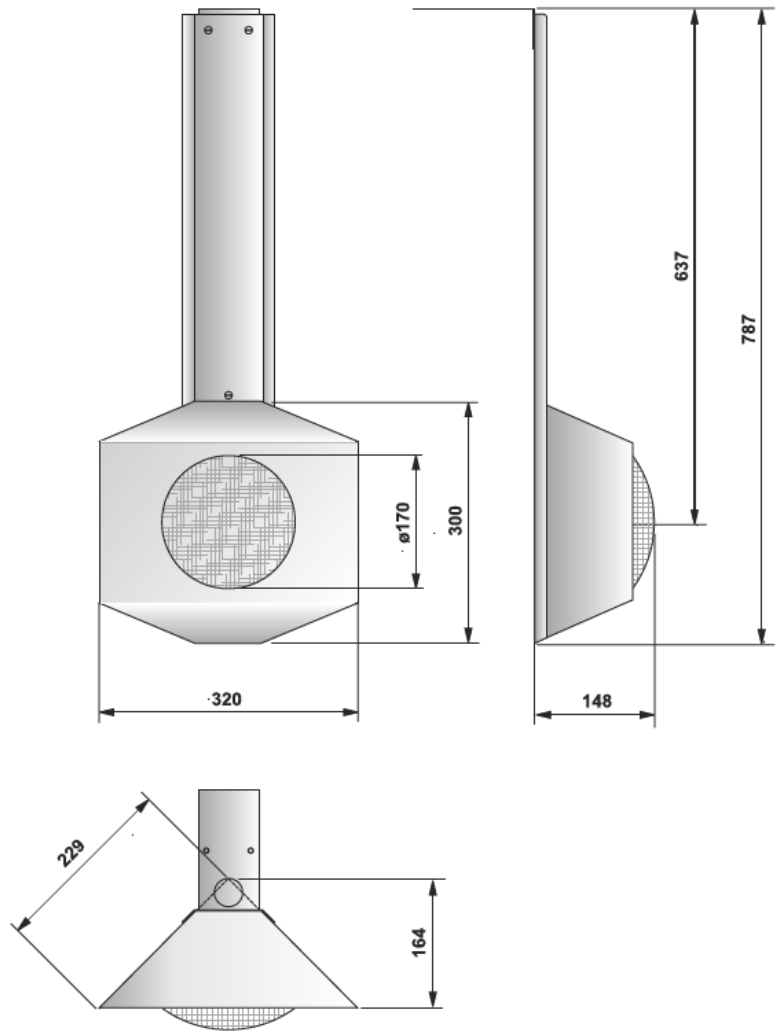
Lighting unit type 300, 300W, 12V, IP68

Item no.

- | | |
|---------|---|
| 12250 | Type 300A with 2.5 m cable. For concrete pools. Supplied complete with comprising stainless steel niche. |
| 12250M5 | As above with 5m cable. |
| 12270 | Typ 300CA with 2.5 m cable. For liner pools. Supplied complete with lamp unit, polished front, niche, gasket, screws and a supporting ring of noryl.12270M10 As above with 10m cable. |
| 112900 | Niche fixtures, stainless steel for model 300CA, set of 4. Recommended for wall type concrete with liner. |

Jälkiasennettava allasvalo / kulmamalli

12V/300W / hst - Tarvittaessa 12V/120W



- **Polished front** - For optimum finish.
- **Made of AISI 316L acid-resistant stainless steel** - For optimum quality and life.
- **Bulbs PAR 56 300W, type Sealbeam, glass and reflector in one unit** - No loose parts, easy to replace.
- **Supplied as standard with a 2.5 m long 2-wire connecting cable** - The water level does not need to be lowered when replacing bulbs.
- **Can be fitted in either a new or existing pool made of concrete, liner or building-block walls** - Suits all types of pools.
- **Suitable for existing pools** - No holes are to be made in the pool.
- **Tested and certified by a Notified Body** - Important for product safety.

Recommended lighting:

300W For outdoor pools - 1 light unit per 25 m², indoor pools - 1 light unit per 15 m².

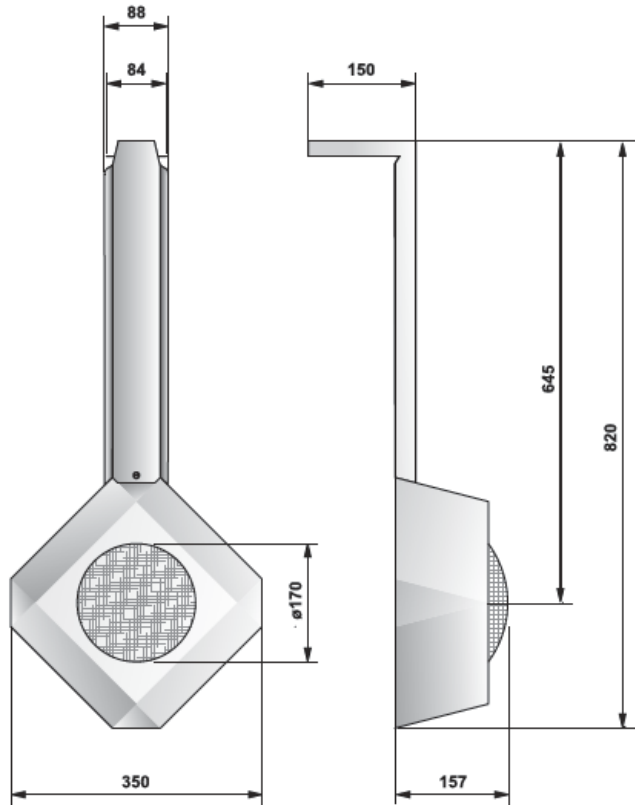
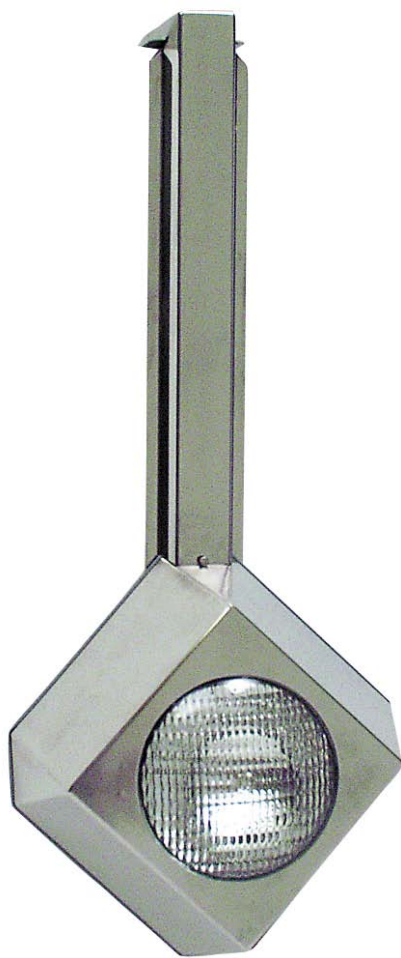
Corner light 304, 300W, 12V, IP68

Item no.

12280 Suspended light 300W, 12V, IP68 for mounting in the pool corner. Delivered with polished attachment for mounting under the pool coping or deck.

Jälkiasennettava allasvalo / seinämalli

12V/300W / hst - Tarvittaessa 12V/120W



- **Polished front** - For optimum finish.
- **Made of AISI 316L acid-resistant stainless steel** - For optimum quality and life.
- **Bulbs PAR 56 300W, type Sealbeam, glass and reflector in one unit** - No loose parts, easy to replace.
- **Supplied as standard with a 2.5 m long 2-wire connecting cable** - The water level does not need to be lowered when replacing bulbs.
- **Can be fitted in either a new or existing pool made of concrete, liner or building-block walls** - Suits all types of pools.
- **Suitable for existing pools** - No holes are to be made in the pool.
- **Tested and certified by a Notified Body** - Important for product safety.

Recommended lighting:

300W For outdoor pools - 1 light unit per 25 m², indoor pools - 1 light unit per 15 m².

Wall light 303, 300W, 12V, IP68

Item no.

12290 Suspended light 300W, 12V, IP68 for mounting in the pool corner. Delivered with polished attachment for mounting under the pool coping or deck.