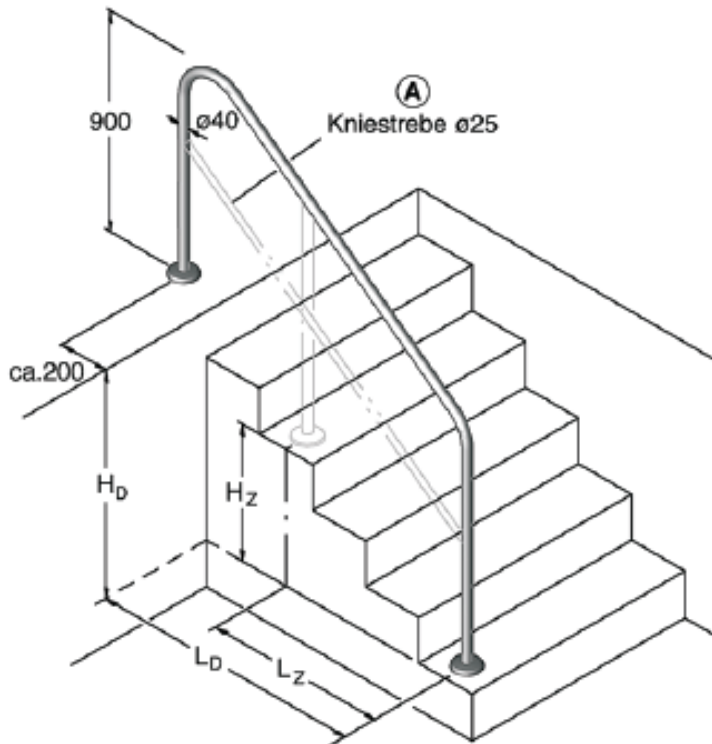


Allasportaat - Kaide



- **Field of application:**
private and public pools

Special Construction

- **Description:**
stainless steel *316*, polished, bar $\varnothing 40 \times 2$,
height 900,
bending radius 150/100,
overhang behind the edge of the pool
approx. 200,
with/without additional rail $\varnothing 25$

construction corresponding to this drawing

- **Fastening:**
flange assembly to the finished floor
incl. escutcheons on all stanchions
or
in **anchor sockets**, set in concrete

- **Assembly materials:**
are included in the scope of supply

- **Ordering references:**
horizontal length(s),
difference(s) of level

intermediate stanchion(s) necessary for
lengths over 1500

- **Extras:**
assembly in anchor sockets,
additional rail,
counter flanges for polyester or liner pools